

AFFINITY



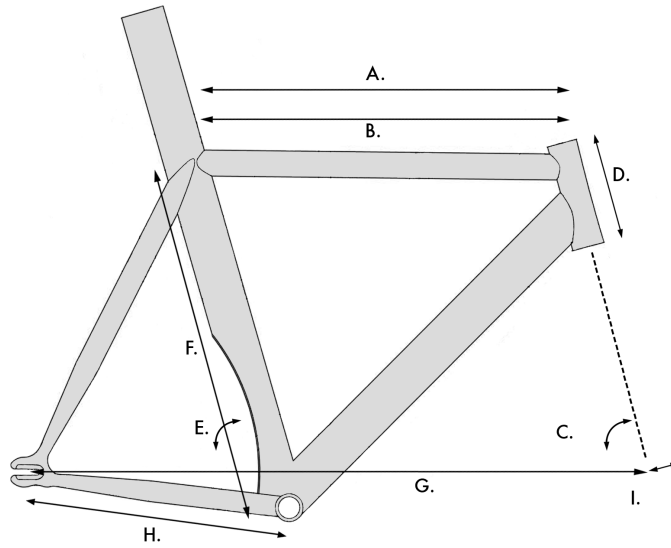
AFFINITY KISSENA FRAMESET MSRP \$850.00 FRAME/FORK/CLAMP

Our original approach to the trick fixed frame. The Cyclone is designed to be a light weight fixed gear frame to take the abuse of street trick riding, but maintain a great ride quality using track specific geometry. Unique "A" frame head tube gusset design, and S bend seat tube, mad stylin. No brake holes, use keirin brakes or nothing! Easily fits 40c tires

- Heat treated 4130 chromo tubing, double butted top and down tube
- 700c 74/75 degree track geometry
- "A" frame head tube design allows 360 Degree bar spins while maintaining steep track angles
- Affinity lugged 1 inch straight blade fork chrome plated
- Short rear Triangle and S shaped seat tube equals a wheelie machine
- Bomber unicrown fork with tapered fork legs, CNC chromo steerer tube
- Fits 27.2 seat post
- Stingray Blue Sparkle, Matte Black, 2009/2010 colors



AFFINITY



Frame sizes (cm)	49	52	55.5	57.5
A. Top tube effective	49.5cm	52cm	55.5cm	57.5cm
B. Tube tube actual	48.2cm	52cm	55.5cm	57.5cm
C. Seat tube center to center	44cm	51.5cm	54cm	66.5cm
D. Head tube angle	7? Degrees	7? Degrees	7? Degrees	7? Degrees
E. Seat tube abgle	74 Degrees for all sizes			
F. Head tube lenght	12cm	14.5cm	15.5cm	16.5cm
G. Wheel base	90.4cm	91.6cm	94.7cm	96.7cm
H. Chainstay lenght	39cm	39.5cm	39.5cm	39.5cm
I. Fork rake	30 Degrees for all sizes			
Seat post diameter	27.2 Wedge clamp			
Headset type	1 1/8 inch Internal Head Set 45,45			
Bottom bracket	68mm English			
Bottom bracket drop	55cm			
Rear hub spacing	120mm			
Material	Heat treated 7005 Aluminum			
Color	Candy clear, Red, Black Chrome, Teal			

